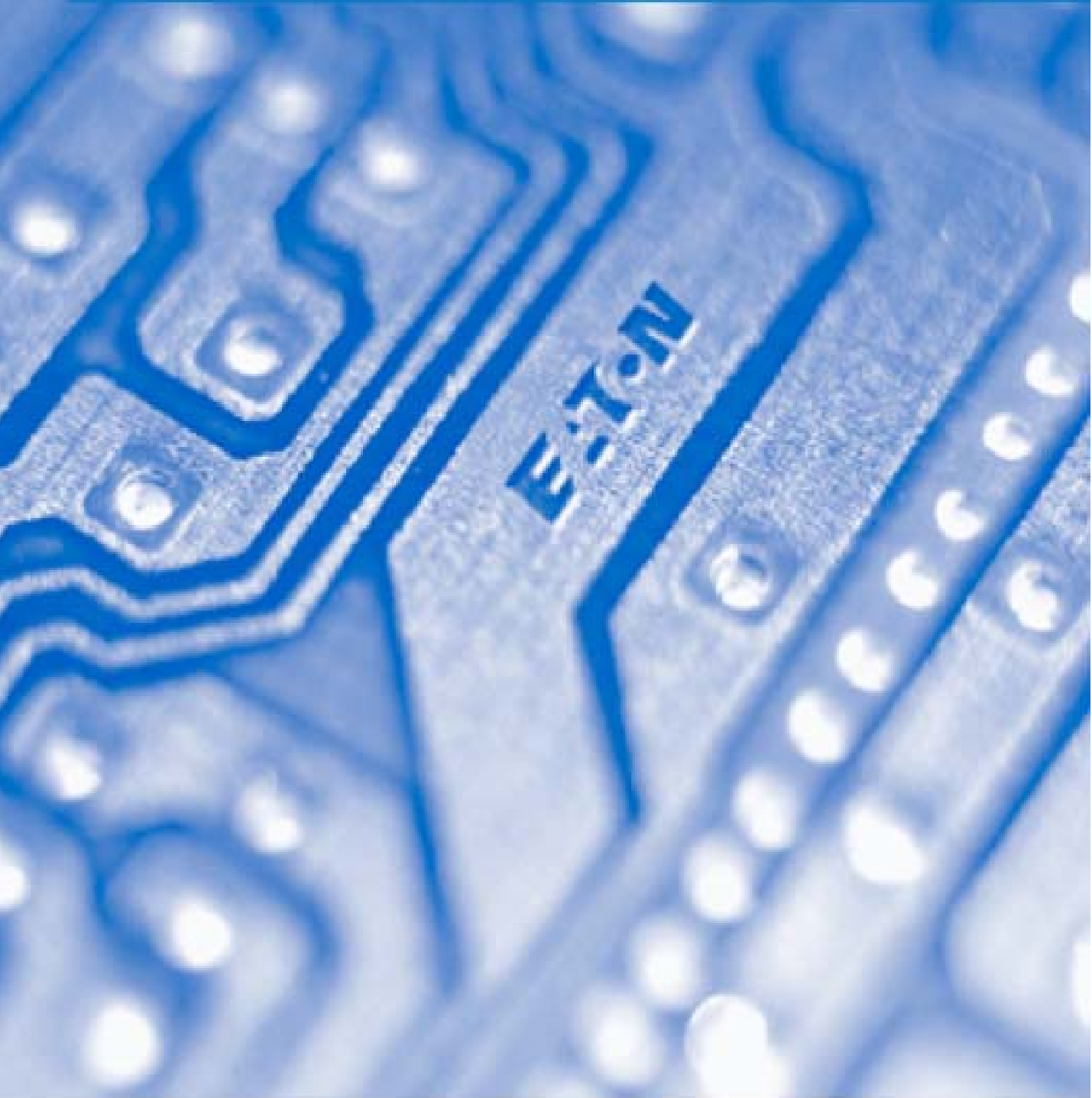


CTO Configuration Guide



Eaton[®] Ferrups[®] FE 50Hz Tower Series



Powering Business Worldwide

QFER01GDE
January 1, 2010

Table of Contents

Ferrups CTO Worksheet.....2

Ferrups 50Hz Tower Series Quick Reference Sheet.....3

Ferrups CTO Details

FE850VA..... 850-1
FE1.4kVA..... 1.4k-1
FE3.1kVA..... 3.1k-1
FE5.3kVA.....5.3k-1

Additional Ferrups External Options.....21

- Voltage Matching Transformers
- Caster Kits
- Connectivity Options
- Software

Configuring Your FERRUPS UPS

FERRUPS must be ordered using a Configure To Order (CTO) Number that reflects the cabinet style, VA rating, voltages, runtime, and other options pertaining to the FERRUPS configuration. As you select the options needed, they will become part of the CTO number.

Sample CTO Number: FQ500OU1A0A0A0A.

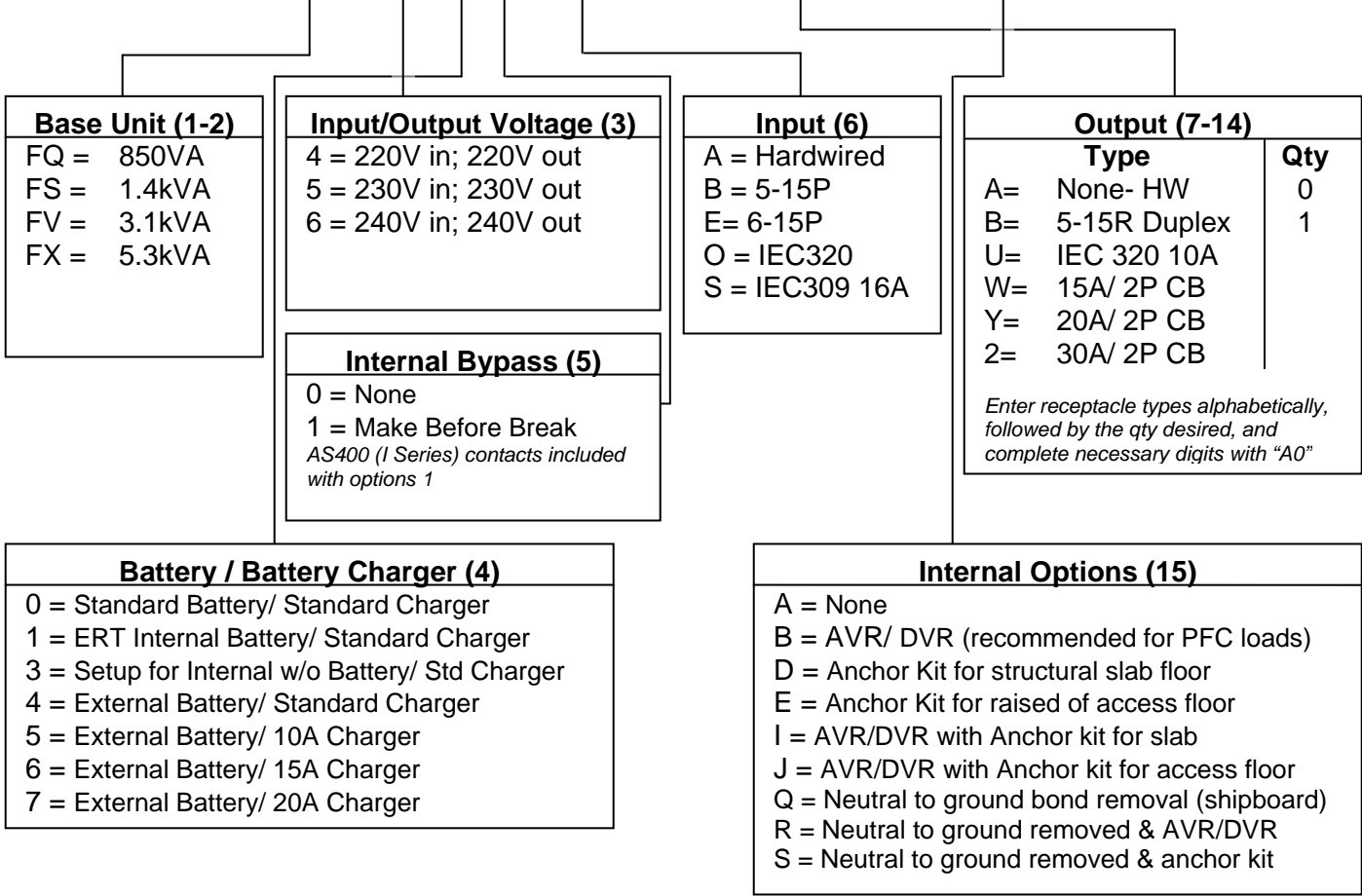
External battery packs, bypass switches and other external options should be ordered as separate items.

The UPS CTO Worksheet											
	UPS CTO Order Code						List Price	Discount	Net Price		
Base Unit	F_										
Input / Output Voltage											
Battery and Battery Charger											
Internal Maintenance Bypass Switch											
Input Connection											
Output Connection											
Internal Options											
Complete UPS CTO Number		F_									
UPS Subtotal											
External Battery Pack											
Battery Pack Selected:											
Other External Battery Options Selected:											
External Maintenance Bypass Switch											
External Maintenance Bypass Switch Selected:											
Other External Options											
Note: Eaton offers a complete line of Power Distribution Units (PDUs) . Please contact your sales representative or visit our website, www.Powerware.com , for details.											
Sub Total											
								Freight			
								Insurance			
								Tax/Duty			
								Quote Total			

Ferrups 50Hz Tower Series Quick Reference

Note: **Not all options are available on each base unit.** Options restrictions exist. Please consult information in this guide for further detail.

FQ 5 0 0 0 U1A0A0A0 A



* Eaton has announced the End of Life of these Ferrups options. Products will be available while supplies last.

QFE850VA CTO Configuration Guide

Ferrups 850VA 50Hz Tower General Specifications

Capacity:	850VA/ 600W	Dimensions:	12" x 10" x 21.25"
Input Voltage:	220, 230, 240V	(HxWxD)	305mm x 255mm x 540mm
Output Voltage:	220, 230, 240V	Weight (with batteries ¹):	39kg / 86lb
		Weight (without batteries):	28kg / 62lb

See Eaton® Ferrups® FE Series 50Hz Datasheet (ILP0368) for additional product specification.

1. Weights are approximate for standard batteries, option 0 for digit 4.

Base Unit		Digits 1-2
Base Model, Frequency, Cabinet Style	CTO Order Code	Base Price
QFE850VA, 50 Hz Tower	FQ	\$2,038

Input / Output Voltage			Digit 3
Input Voltage	Output Voltage	CTO Order Code	Base Price
220	220	4	\$0
230	230	5	\$0
240	240	6	\$0

Battery and Battery Charger			Digit 4
Battery Configuration	Battery Charger	CTO Order Code	Option Price
11 minute internal (28 m half load)	standard	0	\$208
29 minute internal (70 m half load)	standard	1	\$425
Set up for internal (less batteries)	standard	3	\$54
set up for external battery pack ¹	standard	4	\$50
set up for external battery pack ¹	15 amp internal upgrade ²	6	\$550

¹ Includes External Battery Connector.

Order desired external battery pack as a separate line. See page 850-2.

² Required for external battery packs 4me – 7me

Internal Maintenance Bypass Switch		Digit 5
Internal Maintenance Bypass Switch	CTO Order Code	Option Price
No internal maintenance bypass switch option available ¹	0	\$0

¹ External maintenance bypass switch available for hardwired systems. Order desired maintenance bypass switch as a separate line item on your order. See page 850-2.

Input Connection			Digit 6
Input Voltage Selected	Input Connection	CTO Order Code	Option Price
220, 230, 240	Hardwired ¹	A	\$45
	IEC320 – Jumper Cord ³	O	\$ 0

¹ Hardwired input requires hardwired output

³ International line cord requires international receptacles

QFE850VA CTO Configuration Guide

Output Connection			Digits 7-14
Output Voltage Required	Output Connection	CTO Order Code	Option Price
220, 230, 240V	Hardwired ¹	A0A0A0A0	\$0
	(4) IEC320	U1A0A0A0	\$0

¹ Hardwired output requires hardwired input

Internal Options		Digit 15
Option	CTO Order Code	Option Price
No other option	A	\$0
AVR (recommended when loads contain PFC power supplies)	B	\$100
Anchor Kit for structural slab floor	D	\$200
Anchor Kit for raised or access floor	E	\$200
AVR and Anchor Kit for structural slab floor	I	\$300
AVR and Anchor Kit for raised or access floor	J	\$300
Neutral to Ground bond removal (For Shipboard Use)	Q	\$25
Neutral to Ground bond removal and AVR (For Shipboard Use)	R	\$125

External Options

External battery packs, bypass switches and other external options are not a part of the CTO number and will need to be ordered as separate line items. Some external options require that the UPS be configured for use with the option. More options are listed in the Additional External Options section of this guide.

External Battery Packs			
Runtime Full/Half	Battery Charger Required ¹	Order Number	List Price
1h19m/3h18m	Standard Battery Charger ^{1,2} 15 Amp Battery Charger Upgrade Optional	2me	\$1,056
2h01m/4h42m	Standard Battery Charger ^{1,2} 15 Amp Battery Charger Upgrade Optional	3me	\$1,221

¹Order battery charger as part of UPS. See page 850-1.

²Eaton has announced the End of Life of these Ferrups options. Products will be available while supplies last.

External Battery Accessories		
Option	Order Number	List Price
External Battery Connector Extension (72") Also recommended for third-party external battery configurations.	BCS-0108	\$50

External Maintenance Bypass Switches ¹ (Recommended for hardwired units)			
UPS Input Voltage	Switch Type	Order Number	List Price
220, 230, 240	MBB (Make Before Break)	BPE01MBB1A	\$441
	MBB, with AS/400 (iSeries) Option	BPE01MBBAS1A	\$441

¹ Bypass Switch must be mounted on the wall near the UPS.

QFE1.4kVA CTO Configuration Guide

Ferrups 1.4kVA 50Hz Tower General Specifications

Capacity:	1.4kVA/ 1.0kW	Dimensions:	15.1" x 15.25" x 20.2"
Input Voltage:	120, 220, 230, 240V	(HxWxD)	385mm x 390mm x 515mm
Output Voltage:	120, 220, 230, 240V	Weight (with batteries ¹):	70kg / 154lb
		Weight (without batteries):	45.5kg / 100lb

See Eaton® Ferrups® FE Series 50Hz Datasheet (ILP0368) for additional product specification.

1. Weights are approximate for standard batteries, option 0 for digit 4.

Base Unit		Digits 1-2
Base Model, Frequency, Cabinet Style	CTO Order Code	Base Price
QFE1.4kVA, 50 Hz Tower	FS	\$3,322

Input / Output Voltage			Digit 3
Input Voltage	Output Voltage	CTO Order Code	Option Price
220	220	4	\$0
230	230	5	\$0
240	240	6	\$0

Battery and Battery Charger			Digit 4
Battery Configuration	Battery Charger	CTO Order Code	Option Price
14 minute internal (37m half load)	standard	0	\$319
21 minute internal (25m half load)	standard	1	\$490
Set up for internal (less batteries)	standard	3	\$97
set up for external battery pack ¹	standard	4	\$50
set up for external battery pack ¹	15 amp internal upgrade ²	6	\$550

¹ Includes External Battery Connector

Order desired external battery pack as a separate line. See page 1.4k-3.

² Required for external battery packs 4me-7me

Internal Maintenance Bypass Switch		Digit 5
Internal Maintenance Bypass Switch	CTO Order Code	Option Price
No internal maintenance bypass switch option available ¹	0	\$0

¹ External maintenance bypass switch available for hardwired systems. Order desired maintenance bypass switch as a separate line item on your order. See page 1.4k-3.

QFE1.4kVA CTO Configuration Guide

Input Connection			Digit 6
Input Voltage Selected	Input Connection	CTO Order Code	Option Price
Any	Hardwired ¹	A	\$45
120 volt	5-15P ^{2,3}	B	\$15
220, 230, 240	6-15P ³	E	\$60
	IEC320 – Jumper Cord ⁴	O	\$0

¹ Hardwired input requires hardwired output

² Cannot be used with 15 Amp battery charger

³ UPS will not be TUV Listed

⁴ Limits output connections to two panels

Output Connection	Digits 7-14
-------------------	-------------

Designated by 8 digits within the unit CTO number. These eight digits allow selection of the type and quantity for up to four different types of receptacles.

- Three output slots available when a NEMA line cord is selected
- Two output slots available when an international line cord is selected.
- For multiple quantities of one receptacle type, enter the type once with the total quantity (ex: B2 not B1B1).
- Always enter the receptacle types alphabetically (ex: B1C1 not C1B1).
- If hardwire output is desired, select type "A", quantity "0" for all four receptacle types (ex: A0A0A0A0).
- If fewer than four types of receptacle are selected, complete the remaining receptacle digits with A0 (ex: B1C1A0A0).

Output Voltage Required	Output Connection	CTO Order Code		Option Price per Panel
		Type	Qty	
Any	Hardwired ¹	A	0	\$0
120 volt	5-15R Duplex	B	___	\$50
220, 230, 240V	IEC320 10A (Qty 2 per panel) ²	U	___	\$50 ²
Receptacle Output Connection CTO Order Code		_ _	_ _	_ _ <u>A 0</u>
Hardwire Output Connection CTO Order Code		<u>A 0</u>	<u>A 0</u>	<u>A 0</u> <u>A 0</u>

¹ Hardwired output requires hardwired input

² If two panels of IEC320, CTO Order Code U2A0A0A0, are selected, option price is \$0.

Internal Options	Digit 15
------------------	----------

Option	CTO Order Code	Option Price
No other option	A	\$0
AVR (recommended when loads contain PFC power supplies)	B	\$100
Anchor Kit for structural slab floor	D	\$200
Anchor Kit for raised or access floor	E	\$200
AVR and Anchor Kit for structural slab floor	I	\$300
AVR and Anchor Kit for raised or access floor	J	\$300
Neutral to Ground bond removal (For Shipboard Use)	Q	\$25
Neutral to Ground bond removal and AVR (For Shipboard Use)	R	\$125

QFE1.4kVA CTO Configuration Guide

External Options

External battery packs, bypass switches and other external options are not a part of the CTO number and will need to be ordered as separate line items. Some external options require that the UPS be configured for use with the option. More options are listed in the Additional External Options section of this guide.

External Battery Packs

Runtime Full/Half	Battery Charger Required ¹	Order Number	List Price
38m/1h38m	Standard Battery Charger ^{1,2} 15 Amp Battery Charger Upgrade Optional	2me	\$1,056
55m/2h26m	Standard Battery Charger ^{1,2} 15 Amp Battery Charger Upgrade Optional	3me	\$1,221

¹Order battery charger as part of UPS. See page 1.4k-1.

²Eaton has announced the End of Life of these Ferrups options. Products will be available while supplies last.

External Battery Accessories

Option	Order Number	List Price
External Battery Connector Extension (72") Also recommended for third-party external battery configurations.	BCS-0108	\$50

External Maintenance Bypass Switches¹ (Recommended for hardwired units)

UPS Input Voltage	Switch Type	Order Number	List Price
120, 220, 230, 240	MBB (Make Before Break)	BPE01MBB1A	\$441
	MBB, with AS/400 (iSeries) Option	BPE01MBBAS1A	\$441

¹Bypass Switch must be mounted on the wall near the UPS.

QFE3.1kVA CTO Configuration Guide

Ferrups 3.1kVA 50Hz Tower General Specifications

Capacity:	3.1kVA/ 2.2kW	Dimensions:	21.2" x 15.25" x 22.9"
Input Voltage:	220, 230, 240V	(HxWxD)	540mm x 390mm x 585mm
Output Voltage:	220, 230, 240V	Weight (with batteries ¹):	116kg / 256lb
		Weight (without batteries):	69kg / 152lb

See Eaton® Ferrups® FE Series 50Hz Datasheet (ILP0368) for additional product specification.

1. Weights are approximate for standard batteries, option 0 for digit 4.

Base Unit		Digits 1-2
Base Model, Frequency, Cabinet Style	CTO Order Code	Base Price
QFE3.1kVA, 50 Hz Tower	FV	\$4,890

Input / Output Voltage			Digit 3
Input Voltage	Output Voltage	CTO Order Code	Option Price
220	220	4	\$0
230	230	5	\$0
240	240	6	\$0

Battery and Battery Charger			Digit 4
Battery Configuration	Battery Charger	CTO Order Code	Option Price
14 minute internal (35m half load)	standard	0	\$833
37 minute internal (1h38m half load)	standard	1	\$1,414
Set up for internal (less batteries)	standard	3	\$233
set up for external battery pack ¹	standard	4	\$98
set up for external battery pack ¹	15 amp internal upgrade ²	6	\$743

¹ Includes External Battery Connector

Order desired external battery pack as a separate line. See page 3.1k-5.

² Required for external battery packs 12me – 15me

Internal Maintenance Bypass Switch		Digit 5
Internal Maintenance Bypass Switch	CTO Order Code	Option Price
No internal maintenance bypass switch option available ¹	0	\$0

¹ External maintenance bypass switch available for hardwired systems.

Order desired maintenance bypass switch as a separate line item on your order. See page 3.1k-3.

QFE3.1kVA CTO Configuration Guide

Input Connection			Digit 6
Input Voltage Selected	Input Connection	CTO Order Code	Option Price
220, 230, 240V	Hardwired ¹	A	\$48
	IEC309 16A ^{2,4}	S	\$60

¹ Hardwired input requires hardwired output

² Cannot be used with 15 Amp battery charger

⁴ Limits output connections to two panels

Output Connection Digits 7-14

Designated by 8 digits within the unit CTO number. These eight digits allow selection of the type and quantity for up to four different types of receptacles.

- Three output slots available when a NEMA line cord is selected
- Two output slots available when an international line cord is selected.
- For multiple quantities of one receptacle type, enter the type once with the total quantity (ex: B2 not B1B1).
- Always enter the receptacle types alphabetically (ex: B1C1 not C1B1).
- If hardwire output is desired, select type "A", quantity "0" for all four receptacle types (ex: A0A0A0A0).
- If fewer than four types of receptacle are selected, complete the remaining receptacle digits with A0 (ex: B1C1A0A0).

Output Voltage Required	Output Connection	CTO Order Code		Option Price per Panel	
		Type	Qty		
220, 230, 240V	Hardwired ¹	A	___	\$0	
	IEC320 10A (Qty 2 per panel) ²	U	___	\$50 ²	
Receptacle Output Connection CTO Order Code		__	__	__	<u>A</u> <u>0</u>
Hardwire Output Connection CTO Order Code		<u>A</u> <u>0</u>	<u>A</u> <u>0</u>	<u>A</u> <u>0</u>	<u>A</u> <u>0</u>

¹ Hardwired output requires hardwired input

² If two IEC320 panels, CTO Order Code U2A0A0A0, are selected, option price is \$0.

³ UPS will not be TUV Listed

Internal Options Digit 15

Option	CTO Order Code	Option Price
DVR (recommended when loads contain PFC power supplies)	B	\$0
DVR and Anchor Kit for structural slab floor	I	\$215
DVR and Anchor Kit for raised or access floor	J	\$215
Neutral to Ground bond removal and DVR (For Shipboard Use)	R	\$25

External Options

External battery packs, bypass switches and other external options are not a part of the CTO number and will need to be ordered as separate line items. Some external options require that the UPS be configured for use with the option. More options are listed in the Additional External Options section of this guide.

QFE3.1kVA CTO Configuration Guide

External Battery Packs			
Runtime Full/Half	Battery Charger Required¹	Order Number	List Price
57m/2h27m	Standard Battery Charger ¹ 15 Amp Battery Charger Upgrade Optional	9me	\$2,409
1h41m/4h03m	Standard Battery Charger ¹ 15 Amp Battery Charger Upgrade Optional	10me	\$4,142
2h29m/5h44m	Standard Battery Charger ¹ 15 Amp Battery Charger Upgrade Optional	11me	\$4,588
2h52m/6h50m	15 Amp Battery Charger Upgrade ¹	12me	\$6,105
4h07m/9h27m	15 Amp Battery Charger Upgrade ¹	13me	\$7,453
5h52m/13h30m	15 Amp Battery Charger Upgrade ¹	14me	\$9,147
9h41m/22h18m	15 Amp Battery Charger Upgrade ¹	15me	\$12,370

¹Order battery charger as part of UPS. See page 3.1k-1.

External Battery Accessories		
Option	Order Number	List Price
External Battery Connector Extension (72") Also recommended for third-party external battery configurations.	BCS-0108	\$50

External Maintenance Bypass Switches¹ (Recommended for hardwired units)			
UPS Input Voltage	Switch Type	Order Number	List Price
220, 230, 240	MBB (Make Before Break)	BPE01MBB1A	\$441
	MBB, with AS/400 (iSeries) Option	BPE01MBBAS1A	\$441

¹Bypass Switch must be mounted on the wall near the UPS.

QFE5.3kVA CTO Configuration Guide

Ferrups 5.3kVA 50Hz Tower General Specifications

Capacity:	5.3kVA/ 3.7W	Dimensions:	29.5" x 15.5" x 25"
Input Voltage:	220, 230, 240V	(HxWxD)	750mm x 395mm x 635mm
Output Voltage:	220, 230, 240V	Weight (with batteries ¹):	229kg / 505lb
		Weight (without batteries):	131kg / 289lb

See Eaton® Ferrups® FE Series 50Hz Datasheet (ILP0368) for additional product specification.

1. Weights are approximate for standard batteries, option 0 for digit 4.

Base Unit		Digits 1-2
Base Model, Frequency, Cabinet Style	CTO Order Code	Base Price
QFE5.3kVA, 50 Hz Tower	FX	\$7,099

Input / Output Voltage			Digit 3
Input Voltage	Output Voltage	CTO Order Code	Option Price
220	220	4	\$0
230	230	5	\$0
240	240	6	\$0

Battery and Battery Charger			Digit 4
Battery Configuration	Battery Charger	CTO Order Code	Option Price
20 minute internal (50 m half load)	standard	0	\$1,254
Set up for internal (less batteries)	standard	3	\$388
set up for external battery pack	standard	4	\$0
set up for external battery pack ¹	10 amp internal upgrade ²	5	\$270
set up for external battery pack ¹	20 amp internal upgrade ³	7	\$624

¹ Order desired external battery pack as a separate line. See page 5.3k-3.

² Required for external battery packs 4fe – 5fe

³ Required for external battery packs 6fe – 7fe

Internal Maintenance Bypass Switch		Digit 5
Internal Maintenance Bypass Switch	CTO Order Code	Option Price
No internal maintenance bypass switch option ¹	0	\$0
Internal maintenance bypass switch option – MBB	1	\$825

AS/400 (iSeries) contacts included with Options 1 and 2.

¹ External maintenance bypass switch also available for hardwired systems.

Order desired maintenance bypass switch as a separate line item on your order. See page 5.3k-4.

QFE5.3kVA CTO Configuration Guide

Input Connection			Digit 6
Input Voltage Selected	Input Connection	CTO Order Code	Option Price
220, 230, 240 volt	Hardwired	A	\$0

Output Connection	Digits 7-14
-------------------	-------------

Designated by 8 digits within the unit CTO number. These eight digits allow selection of the type and quantity for up to four different types of receptacles.

- Up to four output slots available without internal maintenance bypass switch option.
- Up to four output slots available when internal maintenance bypass switch option is selected.
- For multiple quantities of one receptacle type, enter the type once with the total quantity (ex: B2 not B1B1).
- Always enter the receptacle types alphabetically (ex: B1C1 not C1B1).
- If hardwire output is desired, select type "A", quantity "0" for all receptacle types (ex: A0A0A0A0).
- If fewer than four types of receptacle are selected, complete the remaining receptacle digits with A0 (ex: B1C1A0A0).

Output Voltage Required	Output Connection	CTO Order Code		Option Price per Panel
		Type	Qty	
220, 230, or 240 volt	Hardwired ¹	A	0	\$0
	15 Amp / 2 pole Circuit Breaker ²	W	___	\$60
	20 Amp / 2 pole Circuit Breaker ²	Y	___	\$60
	30 Amp / 2 pole Circuit Breaker ²	2	___	\$60

Receptacle Output Connection CTO Order Code

Hardwire Output Connection CTO Order Code A 0 A 0 A 0 A 0

¹ Hardwired output requires hardwired input

² Internal maintenance bypass switch option required for circuit breaker output connections

Internal Options	Digit 15
------------------	----------

Option	CTO Order Code	Option Price
DVR	B	\$0
DVR and Anchor Kit for structural slab floor	I	\$323
DVR and Anchor Kit for raised or access floor	J	\$323
Neutral to Ground bond removal and DVR (For shipboard use)	R	\$25

QFE5.3kVA CTO Configuration Guide

External Options

External battery packs, bypass switches and other external options are not a part of the CTO number and will need to be ordered as separate line items. Some external options require that the UPS be configured for use with the option. More options are listed in the Additional External Options section of this guide.

External Battery Packs

Runtime Full/Half	Battery Charger Required ¹	Order Number	List Price
27m/1h14m	Standard Battery Charger ¹ 10 or 20 Amp Battery Charger Upgrade Optional	1fe	\$2,976
49m/2h10m	Standard Battery Charger ¹ 10 or 20 Amp Battery Charger Upgrade Optional	2fe	\$4,169
1h12m/3h08m	Standard Battery Charger ¹ 10 or 20 Amp Battery Charger Upgrade Optional	3fe	\$4,620
1h27m/3h39m	10 Amp Battery Charger Upgrade ¹ 20 Amp Battery Charger Upgrade Optional	4fe	\$6,160
2h13m/5h11m	10 Amp Battery Charger Upgrade ¹ 20 Amp Battery Charger Upgrade Optional	5fe	\$7,530
3h08m/7h22m	20 Amp Battery Charger Upgrade ¹	6fe	\$9,064
5h10m/12h10m	20 Amp Battery Charger Upgrade ¹	7fe	\$12,518

¹Order battery charger as part of UPS. See page 5.3k-1.

External Maintenance Bypass Switches¹ (Recommended for hardwired units)

UPS Input Voltage	Switch Type	Order Number	List Price
220, 230, 240 volt	MBB (Make Before Break)	BPE02MBB1A	\$604
	MBB with AS/400 (iSeries) Option	BPE02MBBAS1A	\$604

¹Bypass Switch must be mounted on the wall near the UPS.

Additional Ferrups External Options

Voltage Matching Transformers

208V in – 120/240V out. Required for applications using MBB bypass with source voltage of 208V.

Transformer Description	For use with Ferrups models:	Order Number	List Price
7.5kVA Transformer	FJ, FK (5.3kVA - 7kVA)	TRN-0239	\$1013

Caster Kits

For use with Ferrups models:	Order Number	List Price
FV (3.1kVA)	CAA-0006	\$145

Connectivity

Option	Order Number	List Price
Hand-held Remote Control Panel with Cable	RCK-0007	\$265
IBM AS/400 (iSeries) Interface Kit – UPS w/o maintenance bypass switch	IPK-0001	\$95
IBM AS/400 (iSeries) Interface Kit – UPS w/ maintenance bypass switch	BAA-0325	\$120
BestLink SNMP/WEB Adapter	116750225-001	\$349

Software

Arriving bundled with every Ferrups UPS is the Eaton Software Suite. The Software Suite includes LanSafe software, Netwatch software and a 30-day trial of PowerVision® Management Software.



Eaton's latest release of our free LanSafe® software is fully supportive of the Ferrups product line. Ferrups customers can use LanSafe to deliver comprehensive UPS support including graceful, remote shutdown of UPS systems and network monitoring tools via a serial connection. The most recent release of LanSafe software is available for download on our website powerquality.eaton.com.

With PowerVision, you can proactively monitor the health and performance of UPS, power distribution, and environmental systems across the enterprise- and enhance the reliability of the entire power protection infrastructure.

NetWatch Clients UPS software enables users to shutdown a server or workstation and acts as a network-monitoring tool through the BestLink SNMP/WEB Adapter that monitors and controls it. During an extended power outage, the SNMP/WEB adapter informs all registered NetWatch Clients that it is time to shut down their respective operating systems, thus preparing them for the removal of AC power.

Additionally, the CheckUPS® Software Suite is available for download at powerquality.eaton.com. This product remains in Eaton's portfolio and is still used in a number of applications but is not under further development. CheckUPS provides enhanced UPS monitoring and unattended system shutdown features for most popular operating systems, including Windows 9x and Windows NT/2000, Novell NetWare, and many versions of UNIX.

For more information on Eaton software products, visit powerquality.eaton.com/Support/Software-Drivers

UNITED STATES
8609 Six Forks Road
Raleigh, NC 27615 U.S.A.
Toll Free: 1.800.356.5794
Or 919.872.3020

www.powerware.com
www.eaton.com

CANADA
Ontario: 416.798.0112

LATIN AMERICA
Argentina: 54.11.4343.6363
Brazil: 55.11.3616.8500
Mexico: 52.55.5488.5252

EUROPE/MIDDLE EAST/AFRICA
Denmark: 45.3686.7910
Finland: 358.94.52.661
France: 33.1.6012.7400
Germany: 49.7841.666.0
Italy: 39.02.66.04.05.40
Norway: 47.23.03.65.50
Sweden: 46.8.598.940.00
United Kingdom: 44.1753.608.700

ASIA PACIFIC
Australia/NZ: 61.2.9878.5000
China: 86.21.6361.5599
HK/Korea/Taiwan: 852.2745.6682
India: 91.11.2649.9414 to 18
Singapore/SEA: 65.6829.8888

Powerware and ABM are trade names, trademarks and/or service marks of Eaton Power Quality Corporation or its subsidiaries and affiliates. All other trademarks are property of their respective owners.



© 2007 Eaton Corporation
All Rights Reserved
PDF Only
Configuration Guide
January 2007