



Powerware®

POWER DISTRIBUTION UNIT

250 VA, 120V

USER'S GUIDE

www.powerware.com

POWERWARE®

Powerware is a registered trademark of Powerware Corporation.

©Copyright 1999–2004 Powerware Corporation, Raleigh, NC, USA. All rights reserved. No part of this document may be reproduced in any way without the express written approval of Powerware Corporation.

PDU Installation

The high-to-low voltage Power Distribution Unit (PDU) provides 120V output and up to 250 VA with two low-voltage receptacles (see Figure 1). The PDU installs easily on the side of a rack, saving valuable rack space.

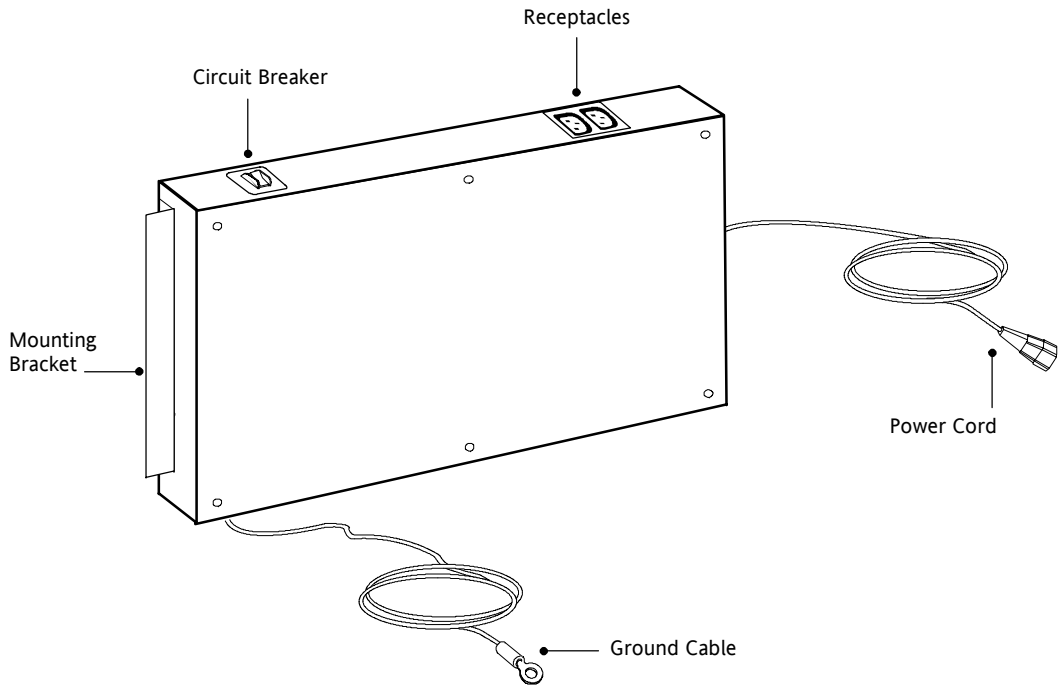


Figure 1. The Power Distribution Unit (250 VA, 120V)

Installing the PDU



WARNING

To reduce the risk of electric shock, do not remove the PDU cover. There are **NO USER SERVICEABLE PARTS** inside the PDU.

The PDU can be installed on either side of the rack. The following steps explain how to install the PDU.

1. Attach one bracket to each side of the unit.

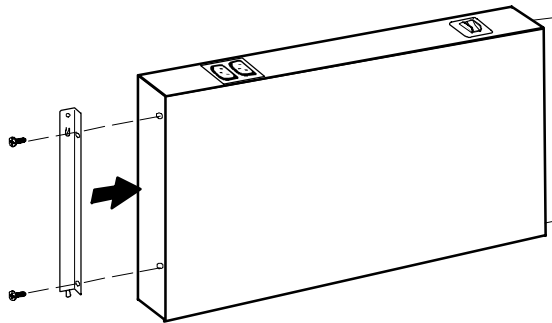


Figure 2. Attaching the Brackets

2. Confirm that the circuit breaker is in the OFF position.

3. Position the PDU between the front and back rails. Attach the PDU to the rails using the bracket hooks and secure with the provided screws.

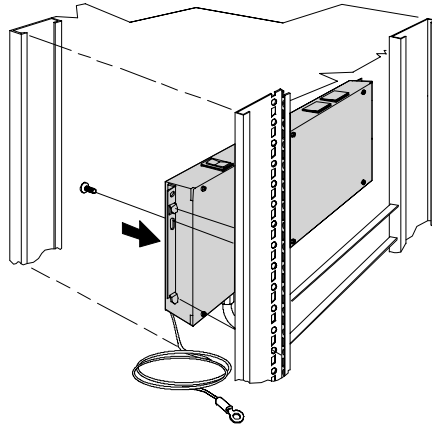


Figure 3. Attaching the PDU to the Rack

WARNING



To reduce risk of electric shock due to high leakage current, a grounded (earthed) connection is required before connecting the unit to an AC power supply.

4. In accordance with local electrical codes, connect the supplementary ground cable (supplied) to a building ground terminal located near the equipment.

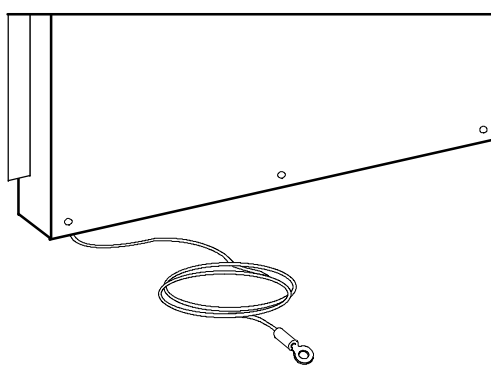


Figure 4. Ground Cable

5. Connect your equipment to the PDU receptacles.



NOTE *Confirm that the equipment connected to the PDU does not exceed the PDU's capacity. Both receptacles are connected to the PDU circuit breaker, rated at 2.5A/100–127 Vac.*

6. Connect the PDU power cord to an IEC 320-C13 receptacle on the UPS rear panel.
7. Turn the PDU circuit breaker to the ON position (see Figure 5).

The circuit breaker illuminates when the PDU is operating normally.

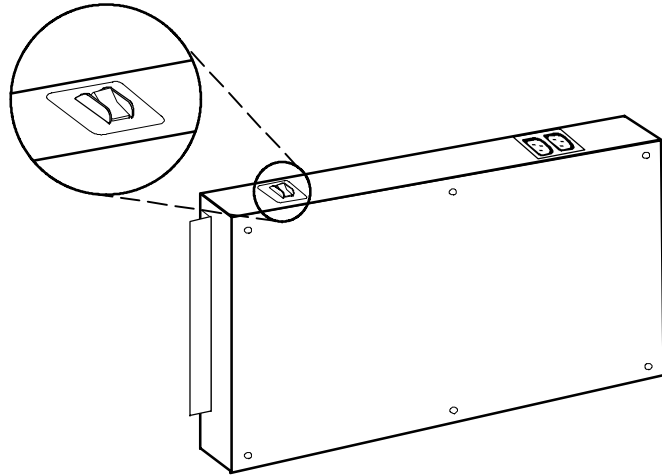


Figure 5. Circuit Breaker

If power to the PDU is interrupted, check the circuit breaker and reset if necessary.



164201552 A